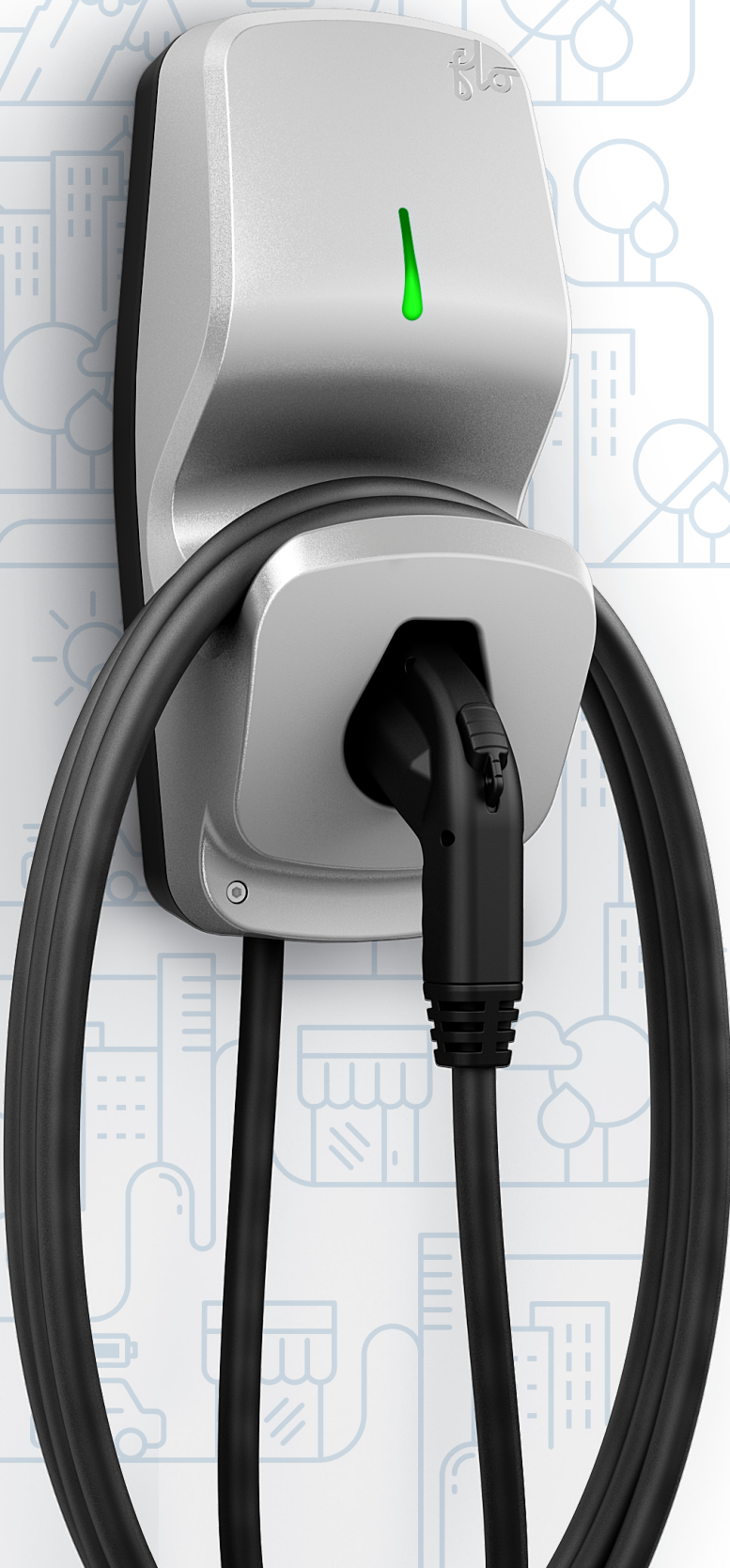




X5 Model

240 V | 30 A | 7.2 kW

Extremely sturdy and made in Canada, our FLO Home X5 residential smart charging station lets you view and manage settings from your private FLO account.



Connected

Track your data usage, access smart features like Charging Schedule and experience real time charging with the FLO app



Future-Proof

Automatic software update and easy addition of a 2nd X5 on the same breaker



Quality Cable and Connector

25' commercial grade cable that ensures resilient flexibility



High quality universal connector built to last 10 years +
Connector style may vary.

Robust Casing

Made of 100% aluminum with a highly resistant finish



Built-in Security

Safe for your electric vehicle and your home



3-Year
Limited Warranty

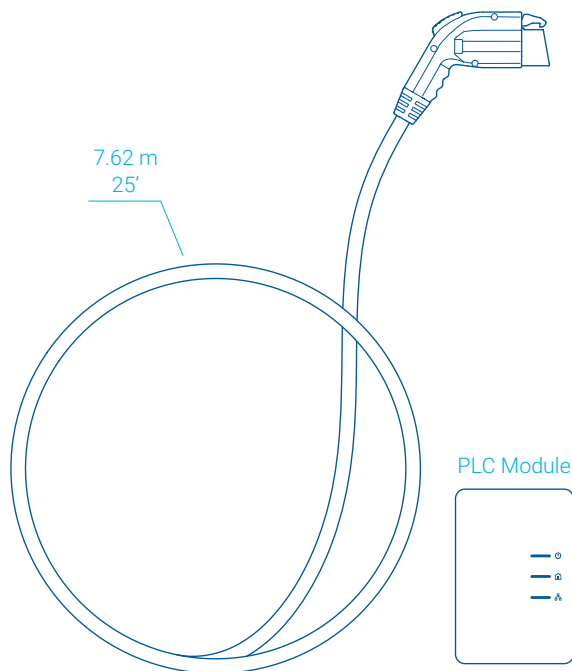
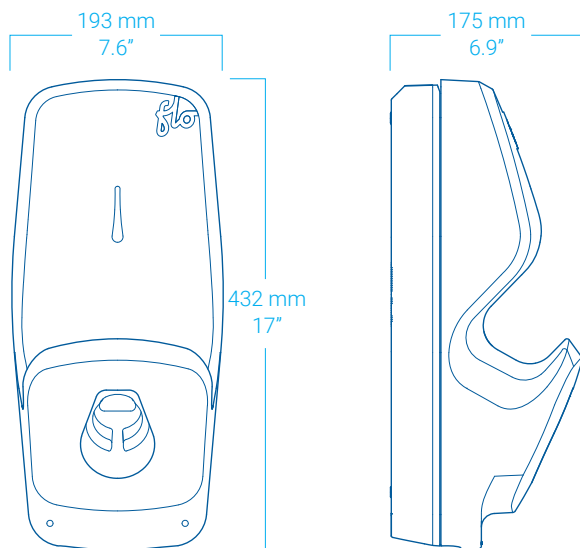

Made in
Canada



Designed and manufactured by AddÉnergie Technologies Inc.
Designed for single home applications

Technical Specifications

X5 Model



Type
Level 2 Charging Station

Casing
100% aluminum
NEMA 4X certified
Designed for outdoor or indoor installation

Finish
Metallic Grey with high resistance coating

Power Sharing
Included

Charging Schedule
Included

Voltage
240 V @ 60 Hz

Charging Power
6.2 - 7.2 kW

Cable
7.62 m / 25' commercial grade cable

Charging Connector
SAE J1772™ designed to withstand 10,000+ charging cycles

Certification



Security Features
Integrated GFCI 20 mA, 3 reset attempts at 15-minute intervals

Operating Temperature
-40 °C to 50 °C
-40 °F to 122 °F

Wall Bracket
Included


Installation
Must be installed by a qualified electrician

Weight
11.23 kg / 24.76 lb

Communication Interface
"HomePlug" power-line communication
*PLC module included

Limited Warranty
3 years

Model Number
FH-1-STA-X5-HY5N-FL1

Conformity
 CAN ICES-3 (B)/NMB-3(B)
In conformity with
IC: NMB - 006